



Superfine
GROUP OF INDUSTRIES
Where Excellence Comes First

DOOR SERIES

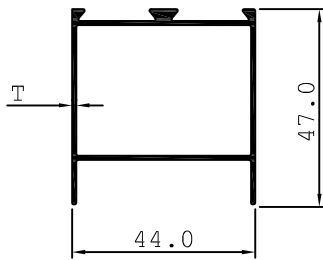
Manufacturers of
Aluminium Extruded
Sections & Profiles





DOOR SERIES

DOOR TOP

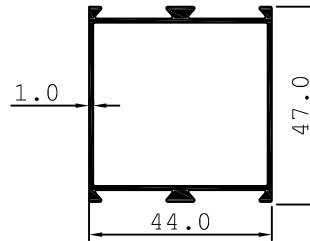


Sr. No.	Section No.	T	Wt. / Mtr In Kgs	Wt. Range Gms / 12'
1	1185	1.10	0.609	2200 - 2400
2	1186	1.18	0.656	2400 - 2600

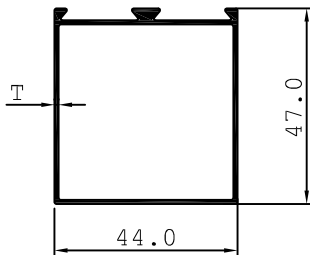
DOOR CENTER

1187

0.694 Kg/M



DOOR SINGLE PARTITION

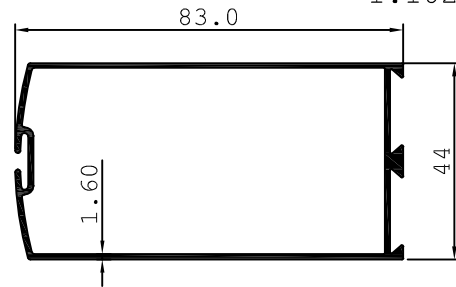


Sr. No.	Section No.	T	Wt. / Mtr In Kgs	Wt. Range Gms / 12'
1	1188	1.00	0.539	2000 - 2200
2	1189	1.11	0.601	2200 - 2400

DOOR VERTICAL (83mm)

1192

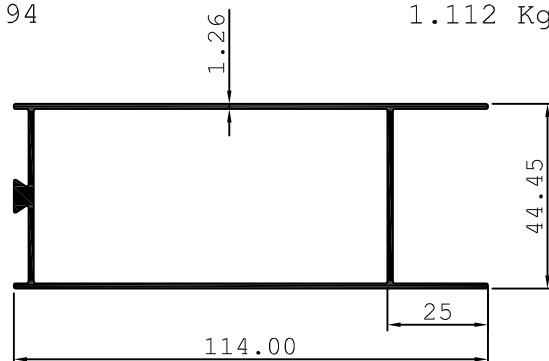
1.102 Kg/M



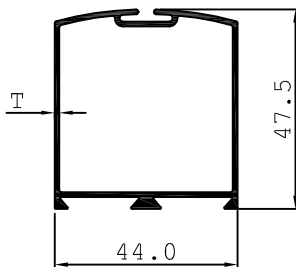
DOOR BOTTOM (25mm LEG)

1194

1.112 Kg/M



DOOR VERTICAL

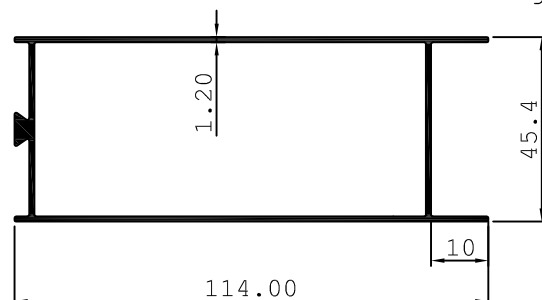


Sr. No.	Section No.	T	Wt. / Mtr In Kgs	Wt. Range Gms / 7'
1	1190	1.15	0.414	1400 - 1600
2	1191	1.39	0.464	1600 - 1800

DOOR BOTTOM (10mm LEG)

1195

1.120 Kg/M

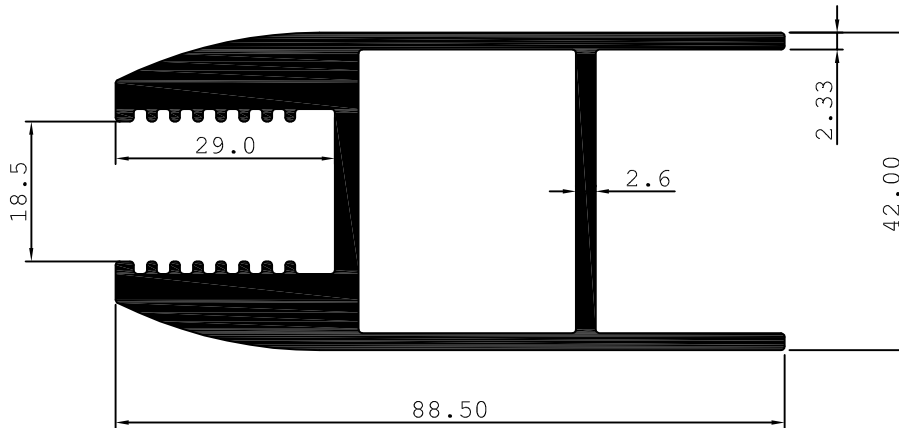


DOOR SERIES

1196

FISH SECTION

2.685 Kg/M



1175

DOOR CENTER

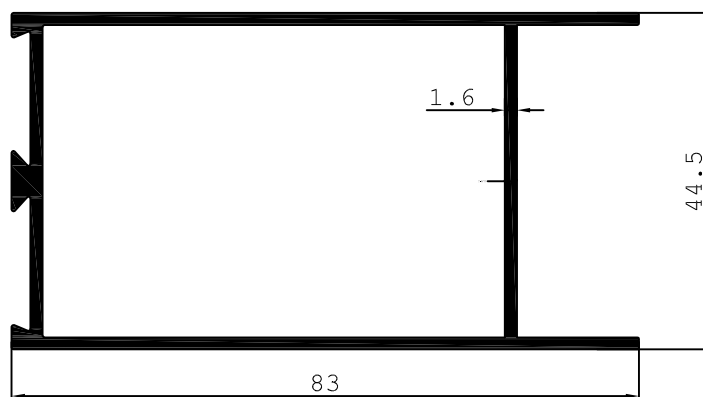
1.188 Kg/M



1176

DOOR TOP

1.131 Kg/M





Superfine
GROUP OF INDUSTRIES
Where Excellence Comes First

Regd. Office: "Pratibha" 1267, Dalmandai,
Ahmednagar 414001, Maharashtra - INDIA
Tel.: +91-241-2327220, 2327219, 2324389,
2347965, 2323602. Fax.: +91-241-2346536
Email: info@superfineindia.com

Superfine Metals Pvt. Ltd.

Factory: Plot No E 29 / E 39, Supa M.I.D.C.,
Tal. - Parner, Dist. - Ahmednagar.

Superfine Extrusions Pvt. Ltd.

Factory: Gat No 53 B, 17th Km. Stone, Nagar-Kalyan Road,
Vill-Bhalwani, Tal. - Parner, Dist. - Ahmednagar.

Superfine Profiles & Extrusions Pvt. Ltd.

Factory: Gat No 58/1, 17th Km. Stone, Nagar-Kalyan Road,
Vill-Bhalwani, Tal. - Parner, Dist. - Ahmednagar.

960 4858 250

www.superfineindia.com

Ushering a Revolution in Aluminium Extrusions and Safeguarding Environment