



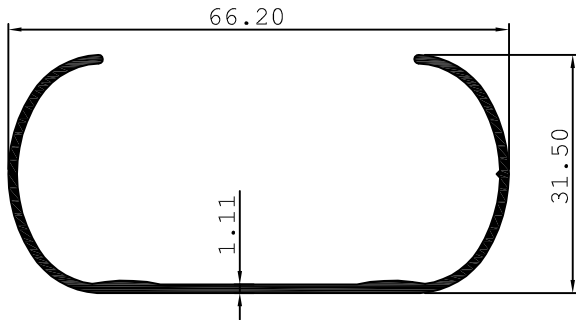
Superfine
GROUP OF INDUSTRIES
Where Excellence Comes First

HARDWARE PROFILES

Manufacturers of
Aluminium Extruded
Sections & Profiles

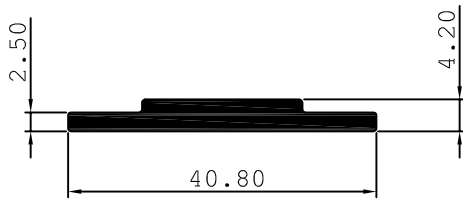


LADDER SECTION

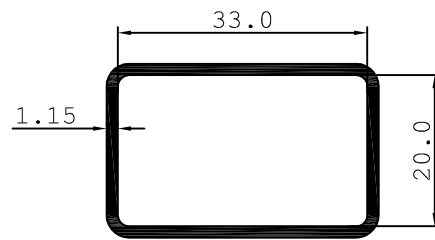


SR. No.	DIE. NO	THICKNESS	WT. / M
1.	7001	1.15 mm	0.409 KG / M
2.	7002	2.90 mm	0.964 KG / M
3.	7003	2.40 mm	0.819 KG / M
4.	7004	1.90 mm	0.655 KG / M
5.	7005	1.45 mm	0.505 KG / M

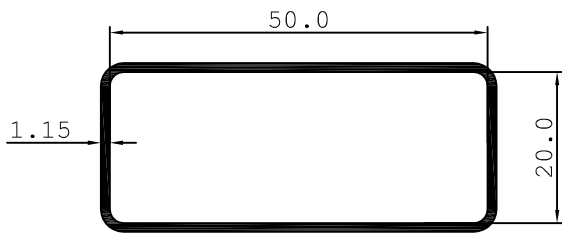
7006 0.372 Kg/M



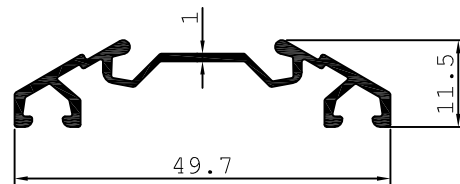
7007 0.335 Kg/M



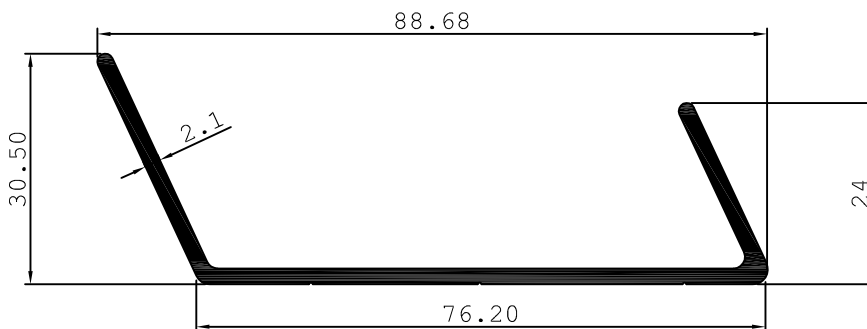
7008 0.484 Kg/M



7009 0.268 Kg/M



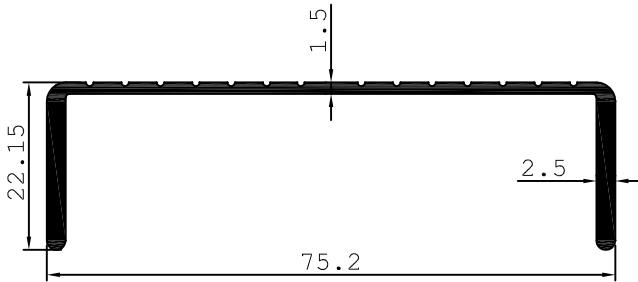
7010 0.739 Kg/M



LADDER SECTION

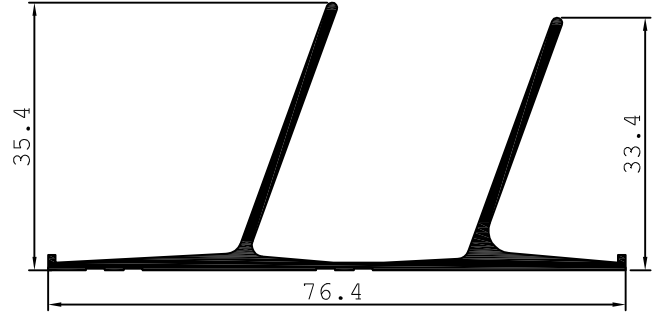
7011

0.557 Kg/M



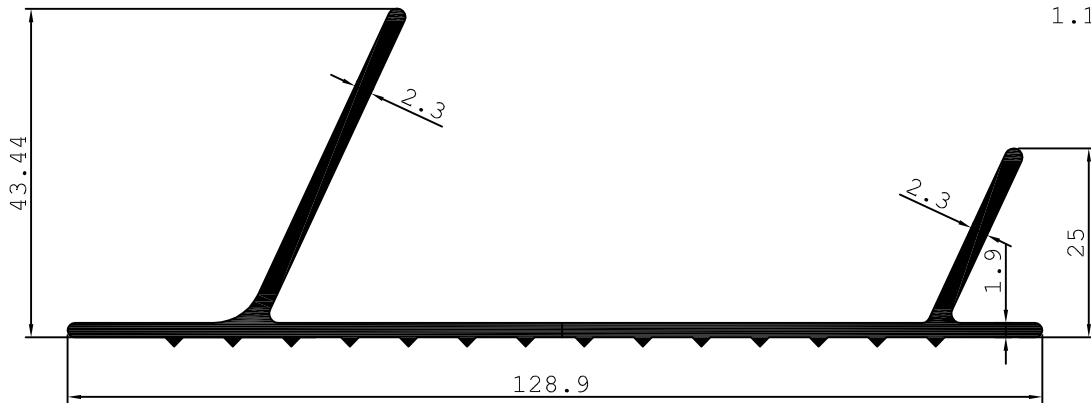
7012

0.594 Kg/M



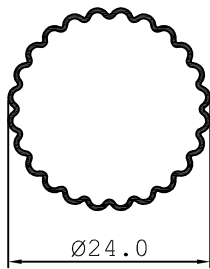
7013

1.172 Kg/M



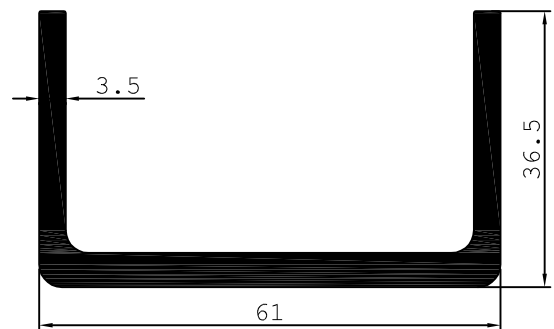
7014

0.355 Kg/M



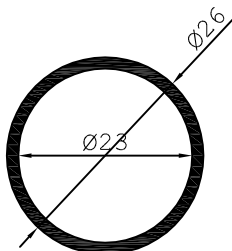
7016

1.345 Kg/M



7015

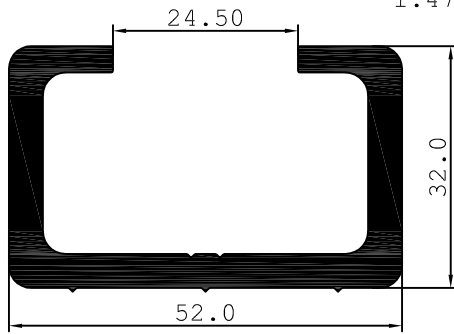
0.311 Kg/M





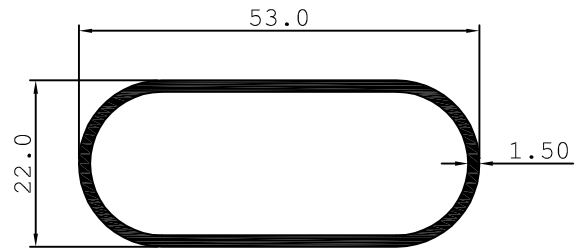
LADDER SECTION

7017



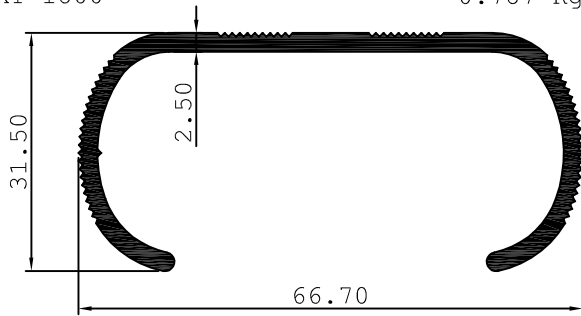
1.475 Kg/M

7018



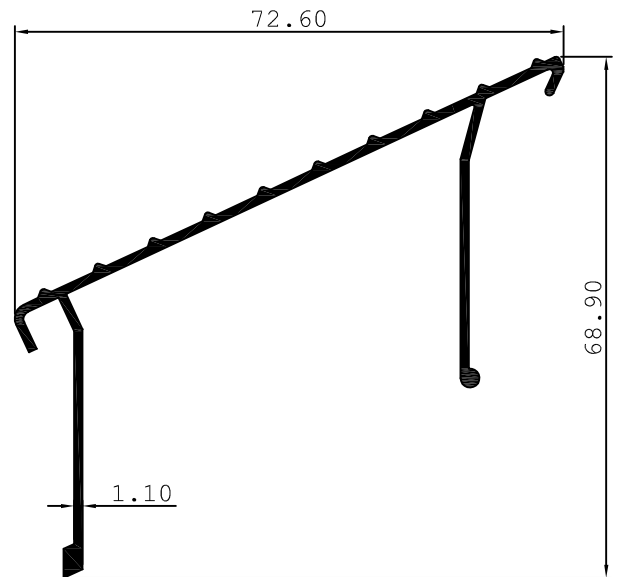
0.512 Kg/M

EXT-1800



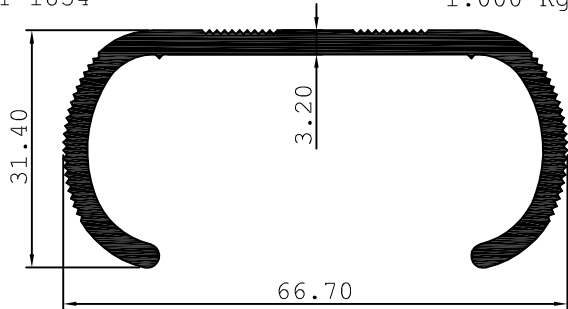
0.787 Kg/M

EXT-1801



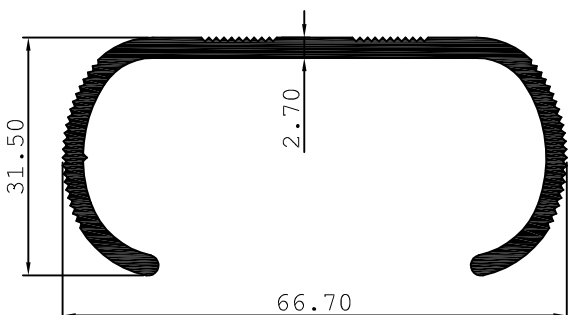
0.532 Kg/M

EXT-1854



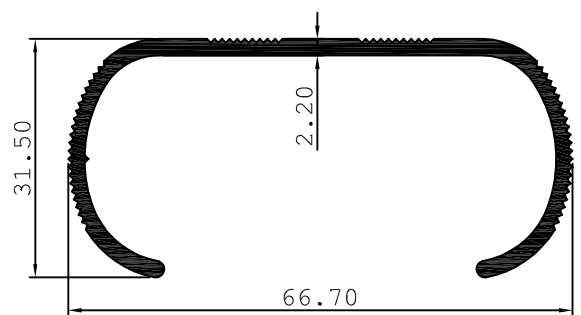
1.000 Kg/M

EXT-1859



0.849 Kg/M

EXT-1877

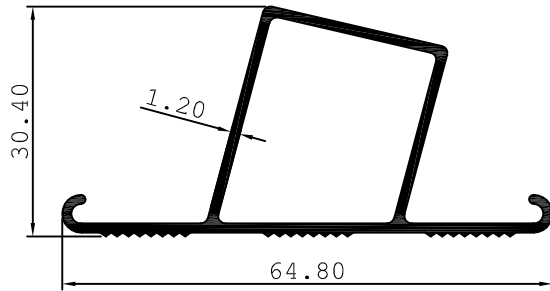


0.686 Kg/M

LADDER SECTION

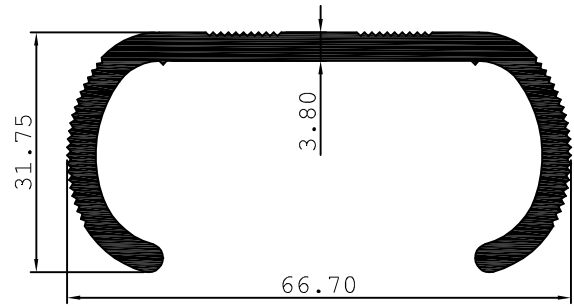
EXT-1878

0.511 Kg/M



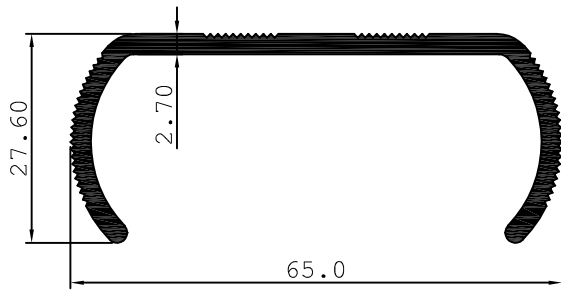
EXT-2153

1.180 Kg/M



EXT-2690

0.745 Kg/M





Superfine
GROUP OF INDUSTRIES
Where Excellence Comes First

Regd. Office: "Pratibha" 1267, Dalmandai,
Ahmednagar 414001, Maharashtra - INDIA
Tel.: +91-241-2327220, 2327219, 2324389,
2347965, 2323602. Fax.: +91-241-2346536
Email: info@superfineindia.com

Superfine Metals Pvt. Ltd.

Factory: Plot No E 29 / E 39, Supa M.I.D.C.,
Tal. - Parner, Dist. - Ahmednagar.

Superfine Extrusions Pvt. Ltd.

Factory: Gat No 53 B, 17th Km. Stone, Nagar-Kalyan Road,
Vill-Bhalwani, Tal. - Parner, Dist. - Ahmednagar.

Superfine Profiles & Extrusions Pvt. Ltd.

Factory: Gat No 58/1, 17th Km. Stone, Nagar-Kalyan Road,
Vill-Bhalwani, Tal. - Parner, Dist. - Ahmednagar.

960 4858 250

www.superfineindia.com

Ushering a Revolution in Aluminium Extrusions and Safeguarding Environment